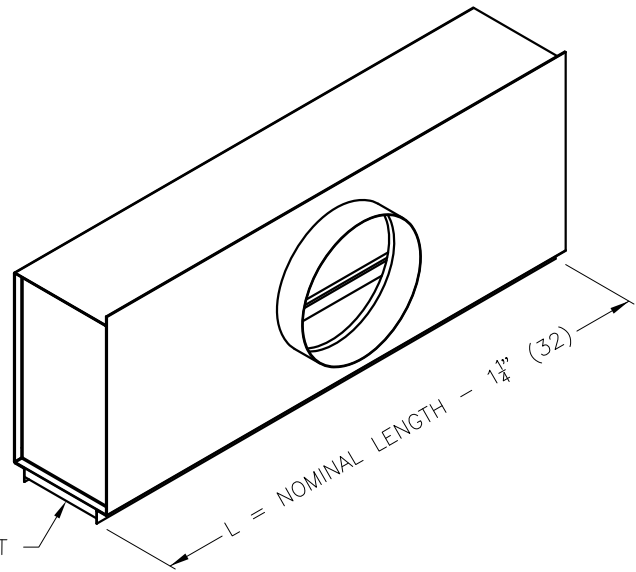
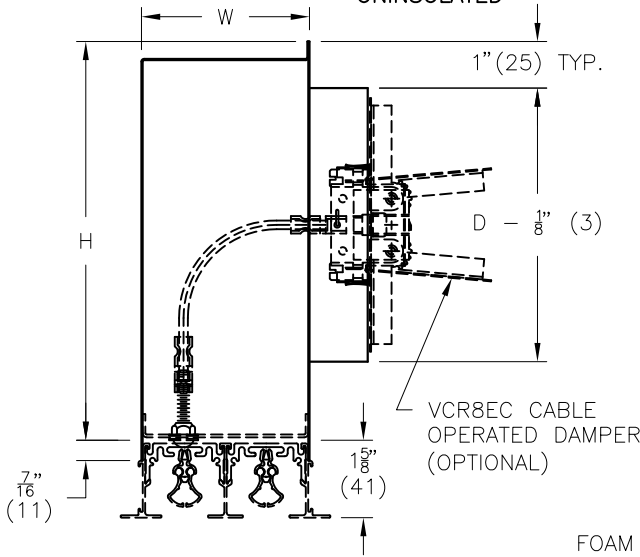
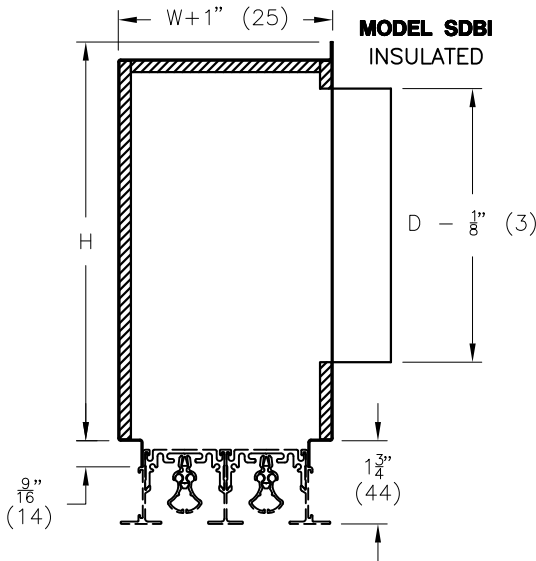


**MODEL SDB  
UNINSULATED**



**MODEL SDBI  
INSULATED**



SLOTS	W			
	SDB50	SDB75	SDB100	SDB150
1	1 <sup>5</sup> / <sub>16</sub> " (33)	1 <sup>9</sup> / <sub>16</sub> " (40)	1 <sup>13</sup> / <sub>16</sub> " (46)	2 <sup>5</sup> / <sub>16</sub> " (59)
2	2 <sup>9</sup> / <sub>16</sub> " (65)	3 <sup>1</sup> / <sub>16</sub> " (78)	3 <sup>9</sup> / <sub>16</sub> " (90)	4 <sup>9</sup> / <sub>16</sub> " (116)
3	3 <sup>13</sup> / <sub>16</sub> " (97)	4 <sup>9</sup> / <sub>16</sub> " (116)	5 <sup>5</sup> / <sub>16</sub> " (135)	6 <sup>13</sup> / <sub>16</sub> " (173)
4	5 <sup>1</sup> / <sub>16</sub> " (129)	6 <sup>1</sup> / <sub>16</sub> " (154)	7 <sup>1</sup> / <sub>16</sub> " (179)	9 <sup>1</sup> / <sub>16</sub> " (230)
5	6 <sup>5</sup> / <sub>16</sub> " (160)	7 <sup>9</sup> / <sub>16</sub> " (192)	8 <sup>13</sup> / <sub>16</sub> " (224)	11 <sup>5</sup> / <sub>16</sub> " (287)
6	7 <sup>9</sup> / <sub>16</sub> " (192)	9 <sup>1</sup> / <sub>16</sub> " (230)	10 <sup>9</sup> / <sub>16</sub> " (268)	13 <sup>9</sup> / <sub>16</sub> " (344)
7	8 <sup>13</sup> / <sub>16</sub> " (224)	10 <sup>9</sup> / <sub>16</sub> " (268)	12 <sup>5</sup> / <sub>16</sub> " (313)	15 <sup>13</sup> / <sub>16</sub> " (402)
8	10 <sup>1</sup> / <sub>16</sub> " (256)	12 <sup>1</sup> / <sub>16</sub> " (306)	14 <sup>1</sup> / <sub>16</sub> " (357)	18 <sup>1</sup> / <sub>16</sub> " (459)
9	11 <sup>5</sup> / <sub>16</sub> " (287)	13 <sup>9</sup> / <sub>16</sub> " (344)	15 <sup>13</sup> / <sub>16</sub> " (402)	20 <sup>5</sup> / <sub>16</sub> " (516)
10	12 <sup>9</sup> / <sub>16</sub> " (319)	15 <sup>1</sup> / <sub>16</sub> " (383)	17 <sup>9</sup> / <sub>16</sub> " (446)	22 <sup>9</sup> / <sub>16</sub> " (573)

**NOMINAL LENGTH:**

- 24" (610)
- 36" (914)
- 48" (1219)
- 60" (1524)
- 72" (1829)

**MATERIAL:**

- COATED STEEL

**FINISH:**

- MILL FINISH

**INSULATION OPTIONS:**

- (SELECT MODEL SDBI)
- CF - INTERNAL COATED FIBERGLASS
  - FF - INTERNAL FIBER FREE FOAM

**MODELS:**

- SDB(I)50 - TO FIT SDS50 / SDR50
- SDB(I)75 - TO FIT SDS75 / SDR75
- SDB(I)100 - TO FIT SDS100 / SDR100
- SDB(I)150 - TO FIT SDS150 / SDR150

**NOTES:**

- SDBI ENDCAPS ARE UNINSULATED
- ASSOCIATED SDS DIFFUSERS MUST BE SPECIFIED AND ORDERED AS SEPARATE ITEMS
- INTENDED FOR USE IN T-BAR CEILING SYSTEMS
- NOT FOR USE WITH SDS TYPES 18, 19, 20, 21, 22
- NOT RECOMMENDED FOR PLASTER OR DRYWALL CEILINGS UNLESS ADJACENT ACCESS IS AVAILABLE
- FACTORY TOLERANCE ± 1/32" (1)
- 8EC - OPTIONAL VCR8EC CABLE OPERATED DAMPER (AVAILABLE ON SDB100 AND SDB150 ONLY, UNINSULATED PLENUM ONLY, ROUND INLETS ONLY)

ALL METRIC DIMENSIONS ( ) ARE SOFT CONVERTED. IMPERIAL DIMENSIONS ARE CONVERTED TO METRIC AND ROUNDED TO THE NEAREST MILLIMETER.

<b>PROJECT:</b>		<b>PRICE®</b>
<b>ENGINEER:</b>		
<b>CUSTOMER:</b>		235057
<b>SUBMITTAL DATE:</b>	<b>SPEC. SYMBOL:</b>	2015/09/22



**SDB, SDBI**  
PLENUM  
TYPE 14

MODEL	LENGTH	SLOTS	H	D								
				4"	5"	6"	7"	8"	10"	12"		
SDB50	24"	1	5 <sup>9</sup> / <sub>16</sub> " (141)	•								
		36"	2	6 <sup>9</sup> / <sub>16</sub> " (167)		•	o		o	o	o	
			3	7 <sup>9</sup> / <sub>16</sub> " (192)			•		o	o	o	
			4	8 <sup>9</sup> / <sub>16</sub> " (217)			•	•	o	o	o	
	48"	1	6 <sup>9</sup> / <sub>16</sub> " (167)		•	o		o	o	o		
		2	7 <sup>9</sup> / <sub>16</sub> " (192)			•		o	o	o		
		3	8 <sup>9</sup> / <sub>16</sub> " (217)			•	•	o	o	o		
		4	9 <sup>9</sup> / <sub>16</sub> " (243)			•	•	•	o	o		
	60"	72"	1	6 <sup>9</sup> / <sub>16</sub> " (167)		•	o		o	o	o	
			2	8 <sup>9</sup> / <sub>16</sub> " (217)			•	•	o	o	o	
			3	9 <sup>9</sup> / <sub>16</sub> " (243)			•		•	o	o	
			4	11 <sup>9</sup> / <sub>16</sub> " (294)			•		•	•	*	
	SDB75	24"	36"	1	5 <sup>9</sup> / <sub>16</sub> " (141)	•						
				2	7 <sup>9</sup> / <sub>16</sub> " (192)			•		o	o	o
				3	8 <sup>9</sup> / <sub>16</sub> " (217)			•	•	o	o	o
				4	9 <sup>9</sup> / <sub>16</sub> " (243)			•		•	o	o
48"		1	6 <sup>9</sup> / <sub>16</sub> " (167)		•	o		o	o	o		
		2	8 <sup>9</sup> / <sub>16</sub> " (217)			•	•	o	o	o		
		3	9 <sup>9</sup> / <sub>16</sub> " (243)			•		•	o	o		
		4	11 <sup>9</sup> / <sub>16</sub> " (294)			•		•	•	*		
60"		72"	1	7 <sup>9</sup> / <sub>16</sub> " (192)			•		o	o	o	
			2	9 <sup>9</sup> / <sub>16</sub> " (243)			•		•	o	o	
			3	11 <sup>9</sup> / <sub>16</sub> " (294)			•		•	•	*	
			4	11 <sup>9</sup> / <sub>16</sub> " (294)			•		•	•	*	
SDB100		24"	36"	1	6 <sup>9</sup> / <sub>16</sub> " (167)		•	o		o	o	o
				2	7 <sup>9</sup> / <sub>16</sub> " (192)			•		o	o	o
				3	9 <sup>9</sup> / <sub>16</sub> " (243)			•		•	o	o
				4	9 <sup>9</sup> / <sub>16</sub> " (243)			•		•	o	o
	48"	1	6 <sup>9</sup> / <sub>16</sub> " (167)		•	o		o	o	o		
		2	8 <sup>9</sup> / <sub>16</sub> " (217)			•	•	o	o	o		
		3	11 <sup>9</sup> / <sub>16</sub> " (294)			•		•	•	*		
		4	11 <sup>9</sup> / <sub>16</sub> " (294)			•		•	•	*		
	60"	72"	1	7 <sup>9</sup> / <sub>16</sub> " (192)			•		o	o	o	
			2	9 <sup>9</sup> / <sub>16</sub> " (243)			•		•	o	o	
			3	11 <sup>9</sup> / <sub>16</sub> " (294)			•		•	•	*	
			4	11 <sup>9</sup> / <sub>16</sub> " (294)			•		•	•	*	
	SDB150	24"	36"	1	6 <sup>9</sup> / <sub>16</sub> " (167)		•	o		o	o	o
				2	8 <sup>9</sup> / <sub>16</sub> " (217)			•	•	o	o	o
				3	9 <sup>9</sup> / <sub>16</sub> " (243)			•		•	o	o
				4	11 <sup>9</sup> / <sub>16</sub> " (294)			•		•	•	*
48"		1	7 <sup>9</sup> / <sub>16</sub> " (192)			•		o	o	o		
		2	9 <sup>9</sup> / <sub>16</sub> " (243)			•		•	o	o		
		3	11 <sup>9</sup> / <sub>16</sub> " (294)			•		•	•	*		
		4	11 <sup>9</sup> / <sub>16</sub> " (294)			•		•	•	*		
60"		72"	1	8 <sup>9</sup> / <sub>16</sub> " (217)			•	•	o	o	o	
			2	11 <sup>9</sup> / <sub>16</sub> " (294)			•		•	•	*	
			3	11 <sup>9</sup> / <sub>16</sub> " (294)			•		•	•	*	
			4	11 <sup>9</sup> / <sub>16</sub> " (294)			•		•	•	*	

MODEL	SLOTS	H	D						
			6"	7"	8"	10"	12"	14"	
SDB50	5	11 <sup>9</sup> / <sub>16</sub> " (294)	•	o	o	o	o		
SDB75		15 <sup>9</sup> / <sub>16</sub> " (395)					•	•	•
SDB100	6	11 <sup>9</sup> / <sub>16</sub> " (294)	•	o	o	o	o		
SDB150		15 <sup>9</sup> / <sub>16</sub> " (395)						•	•
	7	11 <sup>9</sup> / <sub>16</sub> " (294)	•	o	o	o	o		
		15 <sup>9</sup> / <sub>16</sub> " (395)						•	•
	8	11 <sup>9</sup> / <sub>16</sub> " (294)	•	o	o	o	o		
		15 <sup>9</sup> / <sub>16</sub> " (395)						•	•
	9	11 <sup>9</sup> / <sub>16</sub> " (294)	•	o	o	o	o		
		15 <sup>9</sup> / <sub>16</sub> " (395)						•	•
	10	11 <sup>9</sup> / <sub>16</sub> " (294)	•	o	o	o	o		
		15 <sup>9</sup> / <sub>16</sub> " (395)						•	•

- = AVAILABLE AS ROUND INLET
- o = AVAILABLE AS 4" (102) FLAT OVAL INLET:
  - 6" (152) = 4" x 7" (102 x 178)
  - 7" (178) = 4" x 8<sup>9</sup>/<sub>16</sub>" (102 x 217)
  - 8" (203) = 4" x 10<sup>1</sup>/<sub>8</sub>" (102 x 257)
  - 10" (254) = 4" x 13<sup>1</sup>/<sub>4</sub>" (102 x 337)
  - 12" (305) = 4" x 16<sup>3</sup>/<sub>8</sub>" (102 x 416)
- \* = AVAILABLE AS 6" (152) FLAT OVAL INLET:
  - 12" (305) = 6" x 15<sup>1</sup>/<sub>4</sub>" (152 x 387)
  - 14" (356) = 6" x 18<sup>3</sup>/<sub>8</sub>" (152 x 467)

ALL METRIC DIMENSIONS ( ) ARE SOFT CONVERTED. IMPERIAL DIMENSIONS ARE CONVERTED TO METRIC AND ROUNDED TO THE NEAREST MILLIMETER.

<b>PROJECT:</b>			
<b>ENGINEER:</b>			
<b>CUSTOMER:</b>		 235057	<b>SDB, SDBI</b> PLENUM TYPE 14
<b>SUBMITTAL DATE:</b>		2015/09/22	
<b>SPEC. SYMBOL:</b>			